



- simple compact design
- full bore
- cast body & bonnet
- ball with rubberized surface
- automatic operating

#### APPLICATION

- water supply or sewerage network
- industrial distribution of chemically inert liquids



#### ADVANTAGES

- prevention of backflow of working media in the pipeline
- self-cleaning function (rubberized ball and smooth inner surface of the valve prevent dirt settling)
- possible horizontal or vertical installation
- quiet operation
- low pressure drop
- easy maintenance
- long life

#### TECHNICAL DATA

Working range:	water, sewage and other non-aggressive liquids in temperature range -10 °C to + 70 °C, working pressure: max. 1.6 MPa (more info in table 2)
Face to face:	EN 558-1, serie 48 + A1 (DIN 3202)
Flanges:	EN 1092-1, B1 / DIN PN10 / PN16
Testing:	Each valve is tested according to EN 12266 and supplied with accompanying documentation according to EN 10204

#### CONSTRUCTION AND LIST OF MATERIALS

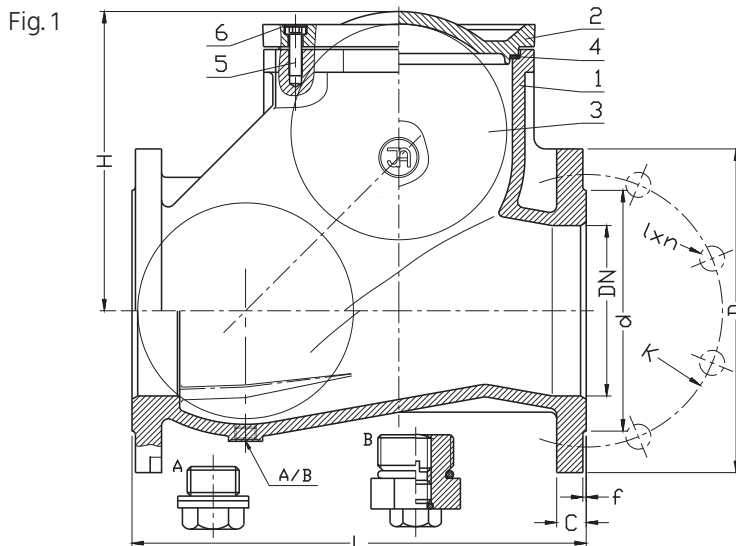


Table 1 List of materials

Pos.	Name of part	Material
1	Body	Ductile iron EN GJS-400-15 <sup>1)</sup>
2	Bonnet	Ductile iron EN GJS-400-15 <sup>1)</sup>
3	Ball	Ductile iron EN GJS-400-15 + vulcanized NBR
4	Bonnet sealing	NBR
5	Screw	Steel Fe/Zn5 EN ISO 4762
6	Screw plug	Wax

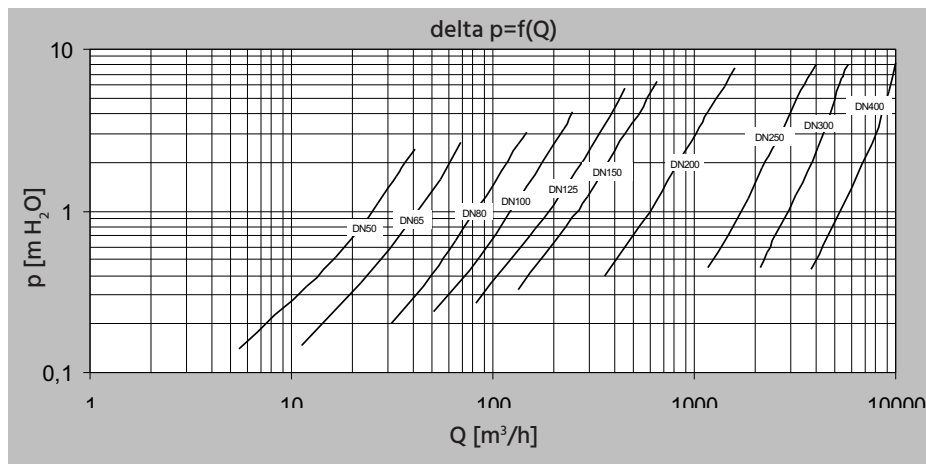
<sup>1)</sup> with protective epoxy coating min. 250 µm, acc. to EN 14091

MAIN DIMENSIONS (MM)

DN	PN (bar)	L	H	d	D	K	l	C	f	n	weight (kg)
50	16	200	113	102	165	125	19	19	3	4	8
65	16	240	126	122	185	145	19	19	3	4	13
80	16	260	162	138	200	160	19	19	3	8	17
100	16	300	194	158	220	180	19	19	3	8	24
125	16	350	214	178	250	210	19	19	3	8	34
150	16	400	260	212	285	240	23	19	3	8	52
200	16	500	320	268	340	295	23	20	3	12	83
250	16	600	365	319	405	355	28	22	3	12	136
300	16	700	427	370	460	410	28	25	4	12	229
200	10	500	320	268	340	295	23	20	3	8	83
250	10	600	365	319	405	350	23	22	3	12	136
300	10	700	427	370	460	400	23	25	4	12	229
350*	10	800	427	429	520	460	23	27	4	16	260
400	10	900	537	480	580	515	28	28	4	16	395
500	10	1100	650	582	670	620	28	32	4	20	560

\* reduced bore

PRESSURE LOSS

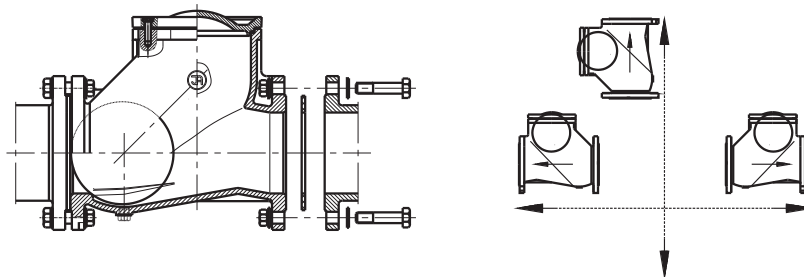


OPTIONS

- stainless steel screws
- with drain plug
- with drain plug and ventilation
- lightweight ball (aluminum alloy)
- EPDM seal + ball EPDM vulcanized (temperature range -10 °C to + 120 °C)

INSTALLATION

Fig. 2



The data in the catalog sheet are for information only and the manufacturer reserves the right to make technical changes.